

SENTERA QUAD SENSOR



The Sentera Quad Sensor is a fully-customizable multispectral, four-imager sensor with red edge capabilities that is transforming how the agriculture industry approaches crop health analysis.

The Sentera Quad Sensor offers impeccable optics, high-resolution, and low-distortion data in a single flight. With fully customizable imaging bands, the Sentera Quad Sensor offers versatility, reliability, and the highest precision available today.

This advanced sensor offers normalized difference vegetation index (NDVI) and normalized difference vegetation red edge (NDRE) data, providing deep, accurate insights about crop health and vigor.

FEATURES & BENEFITS

- Fully customizable imaging bands allow for specific data capture unique to your operation
- Simultaneous collection of NDVI and NDRE data increases efficiencies and streamlines processes
- Compatible with multiple platforms including plug-and-play integration with Sentera's PHX fixed-wing drone
- Helps customize application of fertilizer, pesticides and herbicides base on data-driven information

SENTERA QUAD SENSOR

READY-TO-USE SOLUTION

Using plug-and-play technology, Sentera's Quad Sensor in a fixed nadir position easily attaches to Sentera's PHX™ fixed-wing or DJI Inspire 1 or 2 drones. Offering you the ability to swap payloads in the field ensures seamless integration, efficient operations, and precise data capture. Providing even more integration options, the Quad Sensor is also compatible with the DJI Phantom 3 and 3D Robotics Solo drone platforms.



Sentera PHX



DJI Inspire 2



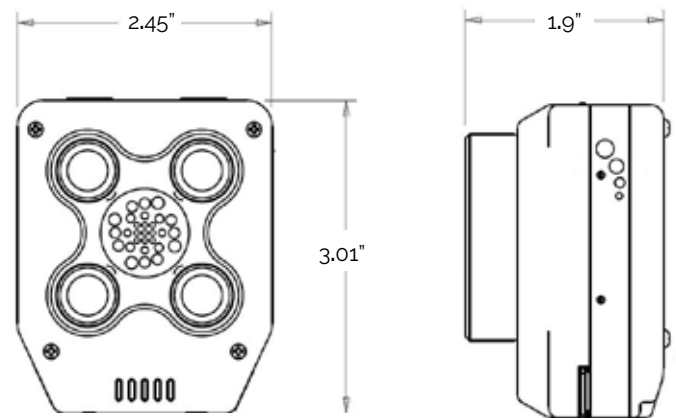
DJI Phantom 3



3D Robotics Solo

SPECIFICATIONS

Sensors	
Resolution	1x 1.2MP CMOS RGB 3x 1.2MP CMOS Mono <ul style="list-style-type: none">• 655nm CWL x 40nm width• 725nm CWL x 25nm width• 800nm CWL x 25nm width
Shutter	Global
Pixel Size	3.75um
Pixel Count	1248 x 950
Lens	
FOV	50° horizontal / 39° vertical - Low Distortion
GSD @ 200'	1.8" (4.5cm)
GSD @ 400'	3.6" (9.1cm)
Size	3" x 2.45" x 1.9" (76mm x 62mm x 48mm)
Weight	170 grams
Power	5 to 26.2VDC, 12W typical
Frame Rate	1.2MP Stills: 7fps 720p Video: 20-24fps
Storage	32GB SD card per sensor <ul style="list-style-type: none">• JPEG, 200,000 images per card• TIFF, 8,000 images per card
Interfaces	Ethernet, Serial/UART



Contattaci - facciamo qualcosa di incredibile!



SKY53 - CALVI tecnologie srl
Via Giuseppe Mazzini 24
23875 Osnago (LC) ITALY

+ 39 039 59 69 891 Direct
+ 39 3358003404 Cellular

sky53.com
contact@sky53.com